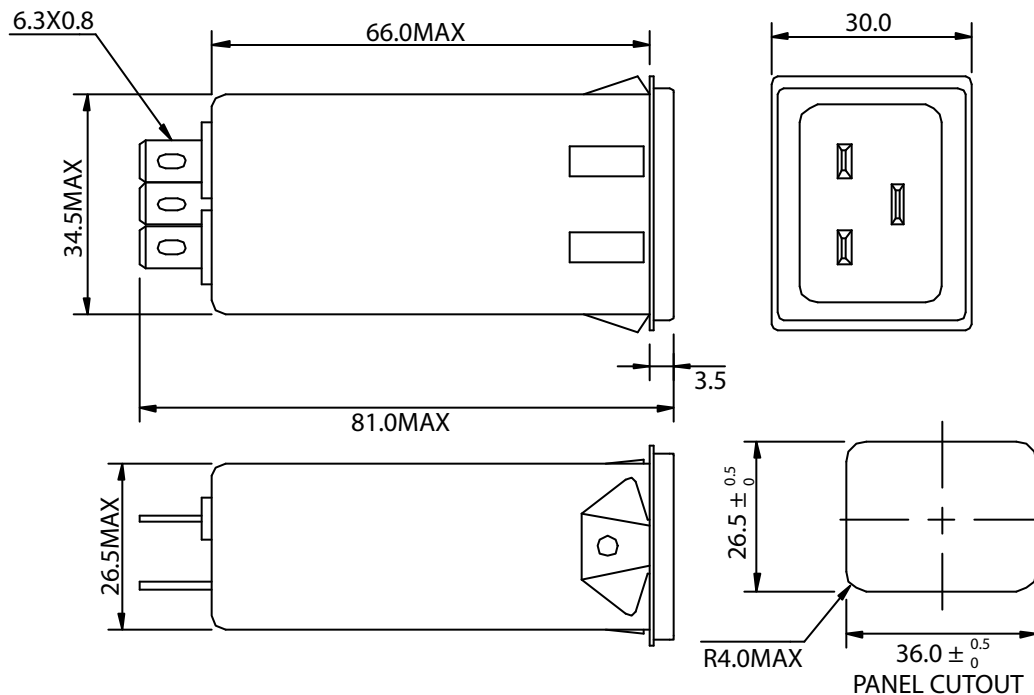


THESE DRAWINGS ARE THE PROPERTY OF QUALTEK ELECTRONICS AND NOT TO BE REPRODUCED FOR OR COMMUNICATED TO A THIRD PARTY WITHOUT THE EXPRESS WRITTEN PERMISSION OF AN OFFICER OF QUALTEK ELECTRONICS.

REVISION			
REV.	DESCRIPTION	DATE	APPROVED
B	RoHS Compliance	06-01-06	DP
C	Updated Specifications	11-28-07	DP

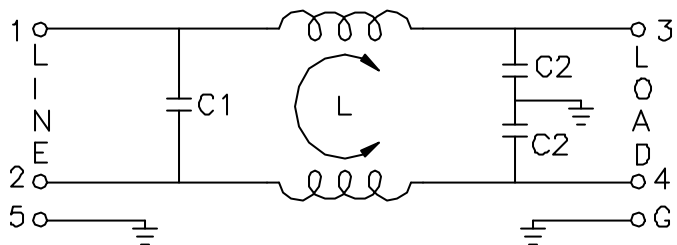
1. PHYSICAL DIMENSIONS



ELECTRICAL CHARACTERISTICS:

- 1-1. VOLTAGE RATING.....125/250VAC
 - 1-2. CURRENT RATING
A. @ 125 VAC.....20 A RMS MAX
B. @ 250 VAC.....16 A RMS MAX
 - 1-3. OPERATING FREQUENCY.....50/60Hz
 - 1-4. LEAKAGE CURRENT: EACH LINE TO GROUND
A. @ 125 VAC 60Hz.....0.20 mA MAX
B. @ 250 VAC 50Hz.....0.40 mA MAX
 - 1-5. HIPOT RATING (FOR ONE MINUTE)
A. LINE TO GROUND.....2250 VDC
B. LINE TO LINE.....1450 VDC
 - 1-6. MINIMUM INSERTION LOSS IN dB: (AT 50 OHM SYSTEM)
- | FREQ. MHz | .01 | .05 | .10 | .15 | .50 | 1.0 | 5.0 | 10 | 30 |
|--------------|-----|-----|-----|-----|-----|-----|-----|----|----|
| COM. MODE dB | / | 2 | 5 | 8 | 10 | 15 | 25 | 30 | 35 |
| DIF. MODE dB | / | 0 | 2 | 2 | 10 | 15 | 40 | 40 | 40 |
- 1-7. OPERATING TEMPERATURE.....-25° TO +85° C
 - 1-8. SAFETY:
 - 1-9. RoHS COMPLIANT

2. ELECTRICAL SCHEMATIC



L: 0.3mH
C1: 0.1uF
C2: 2200pF

CONTROLLED

Dim range (mm)	Tolerance +/- (mm)	Qualtek Electronics Corp. PPC DIVISION		
		Part Number: 869-20/042		
0-1	0.15	Description: EMI FILTER		
1-6	0.20		UNIT: mm	REV. C
6-18	0.30			
18-50	0.50			
50-120	0.70	Drawn / Date	Checked / Date	Approved / Date
120-250	0.90	B.ZHANG 08-16-04	08-16-04	JJH / 08-16-04
250-500	1.20			